

## West P8010 1/8 Din Panel Indicator



The P8010 has multi-point scaling, tare function and improved flexibility. It is available with red, green or green to red colour change displays. Plug-in modules allow up to five alarm relays (latching or non-latching), PV retransmission or transmitter PSU.

- Jumperless Configuration
- Auto Detected Hardware
- Up to 5 Alarm Outputs
- Modbus & ASCII Comms
- Min/max Value Hold
- Tare (auto-zero) Function
- Multi-point Scaling
- Colour Change Display Option



### Technical Data

#### Features

Output Configuration	Up to 5 total. Max 3 single/2 dual relay, max 1 retransmit of PV, max 1 transmitter power supply
Alarms	Up to 5. Process high low or logical OR (direct or reverse acting). With adjustable hysteresis
Viewable Values	Process variable, maximum value, minimum value and alarm 1 elapsed time since reset
Legends	°C/°F LED. Labels for 27 other common units, mounted behind clear window
Human Interface	3 button operation, 4 digit 13mm high display red, green or red/green (colour change on alarm), plus 1 set-up, 3 alarm 1 max and 1 min indicator
PC Configuration	Off-line configuration from PC serial port to dedicated config socket (comms option not required). Configuration Software for Windows 98 or higher. West Part Number: PS1-CON

#### Input

Thermocouple	J, K, C, R, S, T, B, L, N & PtRh20%vsPtRh40%.
RTD	3 Wire PT100, 50Ω per lead maximum (balanced)
DC Linear	0 to 20mA, 4 to 20mA, 0 to 50mV, 10 to 50mV, 0 to 5V, 1 to 5V, 0 to 10V, 2 to 10V. Scaleable -1999 to 9999, with adjustable decimal point
Impedance	>10MΩ for Thermocouple and mV ranges, 47KΩ for V ranges and 5Ω for mA ranges
Accuracy	±0.1% of input range ±1 LSD (T/C CJC better than 1°C)
Sampling	4 per second, 14 bit resolution approximately
Sensor Break Detection	<2 seconds (except zero based DC ranges), high alarms activate for T/C, RTD and mV ranges, low alarms activate for mA or V ranges

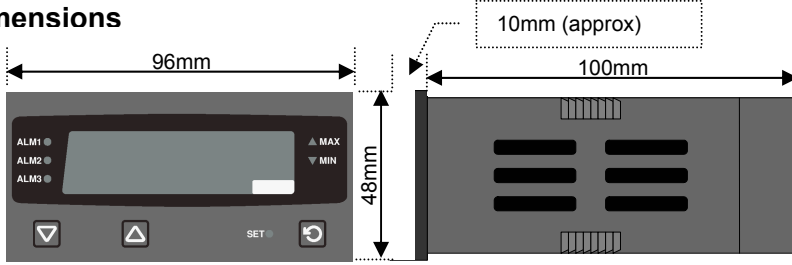
#### Outputs & Options

Single Alarm Relays	Contacts SPDT 2 Amp resistive at 240V AC, >500,000 operations. Latching or non-latching
Dual Alarm Relays	Two x SPST contacts with shared common. 2 Amp resistive at 240V AC, >200,000 operations. Latching or non-latching
SSR Driver Outputs	Drive capability >10V DC in 500Ω minimum
Triac Outputs	0.01 to 1 Amp AC, 20 to 280Vrms, 47 to 63Hz
DC Linear Retransmit Outputs	0 to 20mA, 4 to 20mA into 500Ω max, 0 to 10V, 2 to 10V, 0 to 5V into 500Ω min. Accuracy ±0.25% at 250Ω (degrades linearly to 0.5% for increasing burden to specified limits)
Transmitter Power Supply	Output 24VDC (nominal) into 910Ω minimum to power external devices
Serial Communications	2 Wire RS485, 1200 to 19200 Baud, Modbus and ASCII protocol (selectable)
Digital Input	External reset of latched relay, stored alarm 1 elapsed time, stored min/max PV values or initiate tare function. Volt free or TTL input

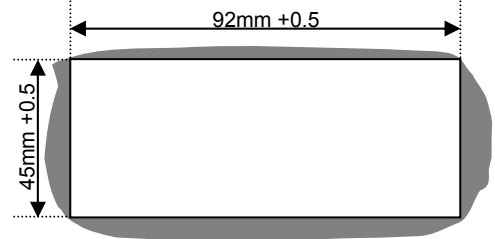
#### Operating & Environmental

Temperature & RH	0 to 55°C (-20 to 80°C storage), 20% to 95% RH non-condensing
Power Supply	100 to 240V 50/60Hz 7.5VA (optional 20 to 48V AC 7.5VA/22 to 65V DC 5 watts)
Front Panel Protection	IEC IP66 (Behind panel protection is IP20)
Standards	CE, UL & ULC recognised. Pollution Degree 2, Installation Category II

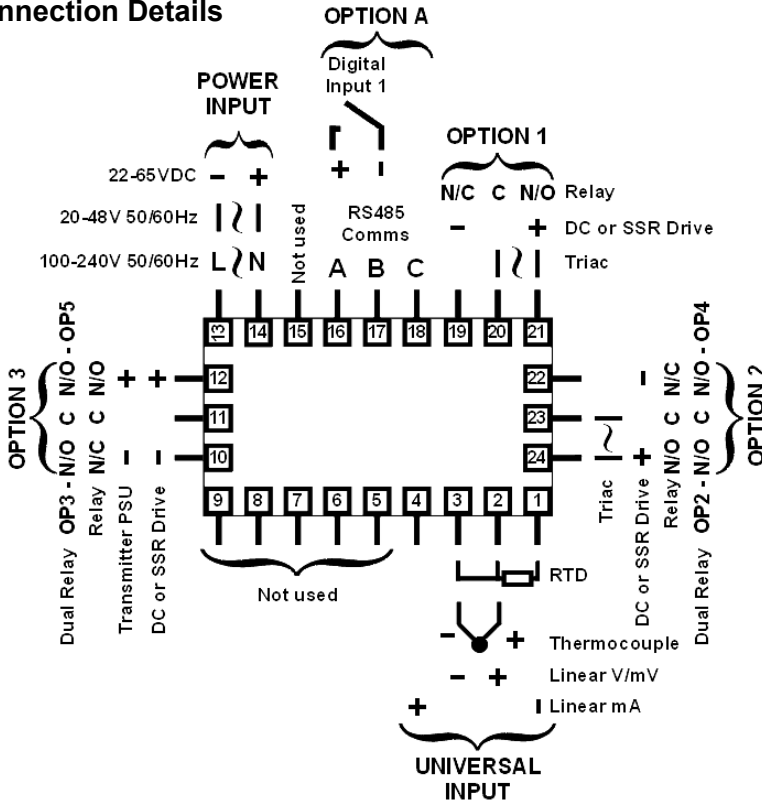
**Dimensions**



**Cut out**



**Connection Details**



**Field Reconfiguration**

- Input**  
Jumper-free configuration for any type (no extra parts required)
- Option Slot 1** **Part Number**  
Relay Output..... **PO1-C10**  
Linear mA/V DC Output..... **PO1-C21**  
SSR Driver Output..... **PO1-C50**  
Triac Output..... **PO1-C80**
- Option Slot 2** **Part Number**  
Relay Output..... **PO2-C10**  
Dual Relay Output..... **PO2-W09**  
Linear mA/V DC Output..... **PO2-C21**  
SSR Driver Output..... **PO2-C50**  
Triac Output..... **PO2-C80**
- Option Slot 3** **Part Number**  
Relay Output..... **PO2-C10**  
Dual Relay Output..... **PO2-W09**  
Linear mA/V DC Output..... **PO2-C21**  
SSR Driver Output..... **PO2-C50**  
24VDC Transmitter PSU..... **PO2-W08**
- Option Slot A** **Part Number**  
Digital Input..... **PA1-W03**  
RS485 Comms..... **PA1-W06**

**Order Code**



- Input Type**
- |                     |   |
|---------------------|---|
| 3 Wire RTD or DC mV | 1 |
| Thermocouple        | 2 |
| DC mA               | 3 |
| DC Voltage          | 4 |
- Option Slot 1**
- |            |   |
|------------|---|
| Not fitted | 0 |
| Relay      | 1 |
| DC for SSR | 2 |
| DC 0-10V   | 3 |
| DC 0-20mA  | 4 |
| DC 0-5V    | 5 |
| DC 2-10V   | 6 |
| DC 4-20mA  | 7 |
| Triac      | 8 |
- Option Slot 2**
- |                   |   |
|-------------------|---|
| Not fitted        | 0 |
| Relay             | 1 |
| DC Driver for SSR | 2 |
| DC 0-10V          | 3 |
| DC 0-20mA         | 4 |
| DC 0-5V           | 5 |
| DC 2-10V          | 6 |
| DC 4-20mA         | 7 |
| Triac             | 8 |
| Dual Relay        | 9 |

- Display Colour**
- |   |                         |
|---|-------------------------|
| 0 | Fixed Red               |
| 1 | Fixed Green             |
| 4 | Red/Green Colour Change |
- Power Supply**
- |   |                 |
|---|-----------------|
| 0 | 100-240V AC     |
| 2 | 24-48V AC or DC |
- Option Slot A**
- |   |                      |
|---|----------------------|
| 0 | Not fitted           |
| 1 | RS485 Communications |
| 3 | Digital Input        |
- Option Slot 3**
- |   |                          |
|---|--------------------------|
| 0 | Not fitted               |
| 1 | Relay                    |
| 2 | DC Driver for SSR        |
| 3 | DC 0-10V                 |
| 4 | DC 0-20mA                |
| 5 | DC 0-5V                  |
| 6 | DC 2-10V                 |
| 7 | DC 4-20mA                |
| 8 | Transmitter Power Supply |
| 9 | Dual Relay               |