

West 8010 1/8 DIN Panel Indicator



The West 8010 is a 1/8 DIN microprocessor based digital indicator. Available with red or green displays. One latchable relay is fitted as standard, plug-in modules allow two more alarm relays, PV retransmission or transmitter PSU.

- Four-digit LED display
- Up to 3 alarms
- Transmitter PSU option
- Min/max value hold
- Engineering units
- PC configuration
- PV retransmit option
- RS485 comms option



Technical Data

Features

Output Configuration
Alarm 1,2 & 3 Types
Viewable Values
Legends
Human Interface

PC Configuration

Input

Thermocouple
RTD
DC Linear

Impedance
Accuracy
Sampling
Sensor Break Detection

Outputs & Options

Alarm 1 Relay

Alarm 2 & 3 Relays
Retransmit Output
Transmitter Power Supply
Remote Reset

Communications

Operating & Environmental

Temperature & RH
Power Supply
Front Panel Protection
Approvals and Certification

Up to 3 total., max 3 for Alarms, max 1 for retransmit of PV, max 1 transmitter power supply
Process high, process low, direct acting, process high, process low reverse and logical OR
Process variable, maximum value, minimum value and elapsed time since reset
°C/°F LED. Labels for 27 other common units, mounted behind clear window
3 button operation, 4 digit 13mm high red or green display, plus set-up, alarm, max & min indicators
Off-line configuration from serial port to dedicated config socket (comms option not required)

J, K, R, S, T, B, L, & N.

3 Wire PT100, 50Ω per lead maximum (balanced)

0-20/4-20mA, 0-50/10-50mV, 0-5/1-5/0-10/2-10V. Scaleable -1999 to 9999, dec point available

>100MΩ for Thermocouple and mV ranges, 47KΩ for V ranges and 4.7Ω for mA ranges

+/- 0.25% of input span +/- 1 LSD (T/C CJC better than 0.7°C)

4 per second, 14 bit resolution approximately

<2 secs (except zero based DC ranges), *high alarms activate (*low for RTD, mA or V).

Contacts SPDT 2Amp resistive at 240V AC, >500,000 operations, latching or non-latching. Fitted as standard

Contacts SPDT 2Amp resistive at 240V AC, >500,000 operations (optional)

0-20/4-20mA into 500Ω max, 0-10/0-5V into 500Ω min. Accuracy typically +/- 0.25%

20-28V DC (24V nominal), max load 910Ω (22mA at 20V)

External reset of latching alarm 1 relay. Volt free or TTL input (Reset = open to close or "0" to "1" transition. 0 = -0.6 to 0.8V, 1 = 2 to 24V)

2 wire RS485, 1200 to 9600 baud. Modbus or West ASCII (selectable)

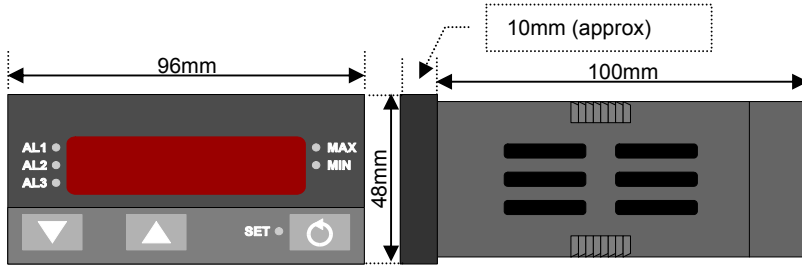
0 to 55°C (-20 to 80°C storage), 20% to 95%RH non-condensing

100 to 240V 50/60Hz 7.5VA (optional 20 to 50V AC 7.5VA/22 to 65V DC 4W)

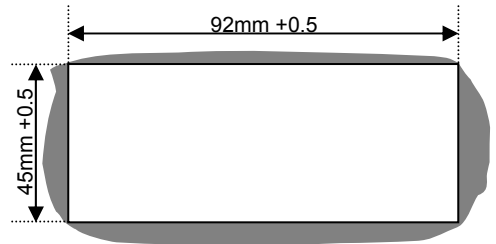
IEC IP66 (Behind panel protection is IP20)

CE, UL & ULc

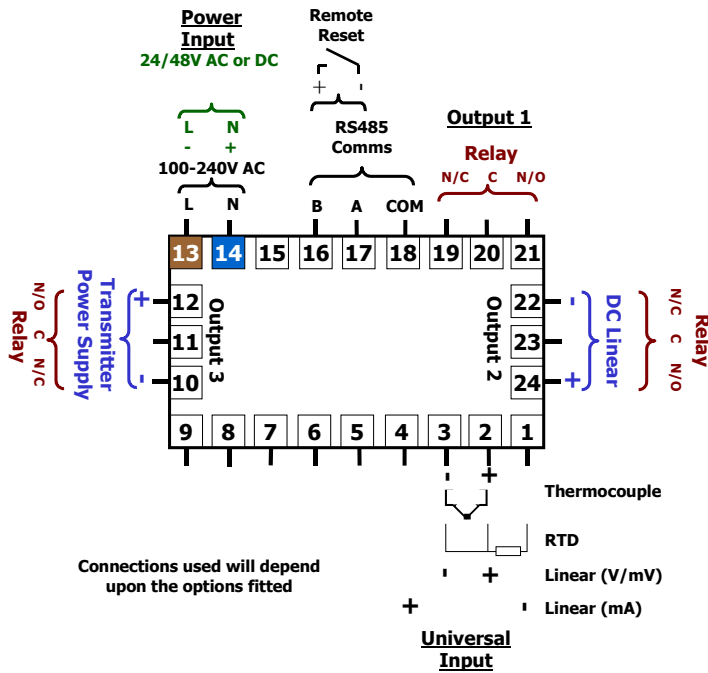
Dimensions



Cut out



Connection Details



Connections used will depend upon the options fitted

Field Reconfiguration

- Input**
Configurable to any type, no extra parts required
- Output 1**
Type is fixed as Alarm 1 Rela
- Output 2**
Configurable as Alarm 2 or 3 via plug-in relay, or PV retransmit, using DC Linear modules
- Output 3**
Configurable as Alarm 2 or 3 via plug-in relay, or Transmitter Power Supply using Tx PSU module
- Option Slot**
Configurable as RS485 comms or Remote reset of latched output 1 relay, via plug-in modules

Order Code



Input Type

3 Wire RTD or DC mV	1
Thermocouple	2
DC mA	3
DC Voltage	4

Output 1

Relay Alarm 1	1
---------------	---

Output 2

Not fitted	0
Relay Alarm 2	1
DC 0-10V Re-Transmit PV	3
DC 0-20mA Re-Transmit PV	4
DC 0-5V Re-Transmit PV	5
DC 4-20mA Re-Transmit PV	7

Colour

0	Red LED Display
1	Green LED Display

Options & Power Supply

00	No Options/100-240V AC line supply
02	No Options/24-48V AC or DC line supply
10	RS485 Comms/100-240V AC line supply
12	RS485 Comms/24-48V AC or DC line sup
30	Remote Lock/100-240V AC line supply
32	Remote Lock/24-48V AC or DC line supply

Output 3

0	Not fitted
1	Relay Alarm 2 or 3
8	Transmitter Power Supply

In accordance with our policy of continuous improvement, we reserve the right to change specifications from those shown in this document.