

DIN RAIL MOUNTED POWER SUPPLY

SEM1300

- 5 YEAR WARRANTY
- UNIVERSAL INPUT SUPPLY
- SMALL SIZE/HIGH PACKING DENSITY
- COOL RUNNING
- CE APPROVED



INTRODUCTION

The SEM1300 is a DIN rail mounted power supply that provides a regulated 24 VDC output @ 250 mA from an AC supply ranging from (90 to 253) VAC (50 to 60) Hz.

Ideally suited to powering 24 V process instrumentation and signal conditioning modules, the small size of the SEM1300 now enables many more units to be installed in a smaller space than was previously possible.

The high efficiency of the SEM1300 power supply and its very cool running operation ensures a lower ambient temperature rise and hence improved reliability.

SPECIFICATIONS @ 20 °C

GENERAL

INPUT

Supply Range	(90 to 253) VAC (50 to 60) Hz
Efficiency	70 % typ @ 230 VAC 250 mA
Protection	1 A anti surge fuse required in live supply line (not supplied)
Filter	In-built EMC filter
Connections	Captive screw connections

OUTPUT

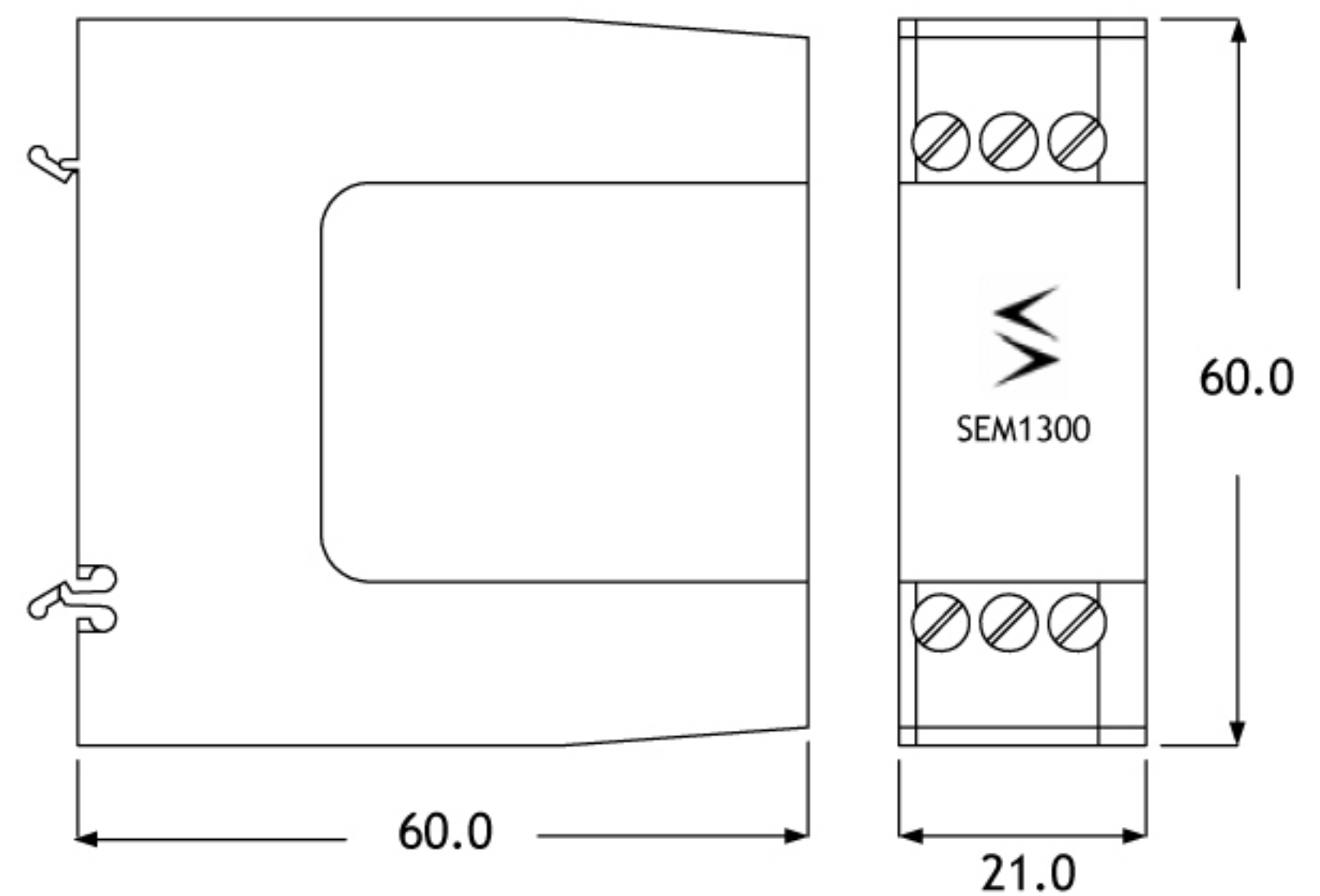
Voltage	24 VDC \pm 0.5 % @ 250 mA short circuit protected
Ripple	100 mV p-p
Indication	LED power on
Protection	IP20
Breakdown Isolation	2500 V flash tested to supply
Connections	Captive screw terminal
Cable Size	4 mm ² Solid/2.5 mm ² Stranded
Case Material	Polyamide (Grey)
Case Flammability	To UL94-VO VDE 0304 Part 3 Level IIIA
Mounting	Top Hat rail to DIN EN 50022-35
Ambient	Operating (0 to 50) °C (10 to 95) % RH Non-condensing

APPROVALS

EMC	BS EN61326
-----	------------

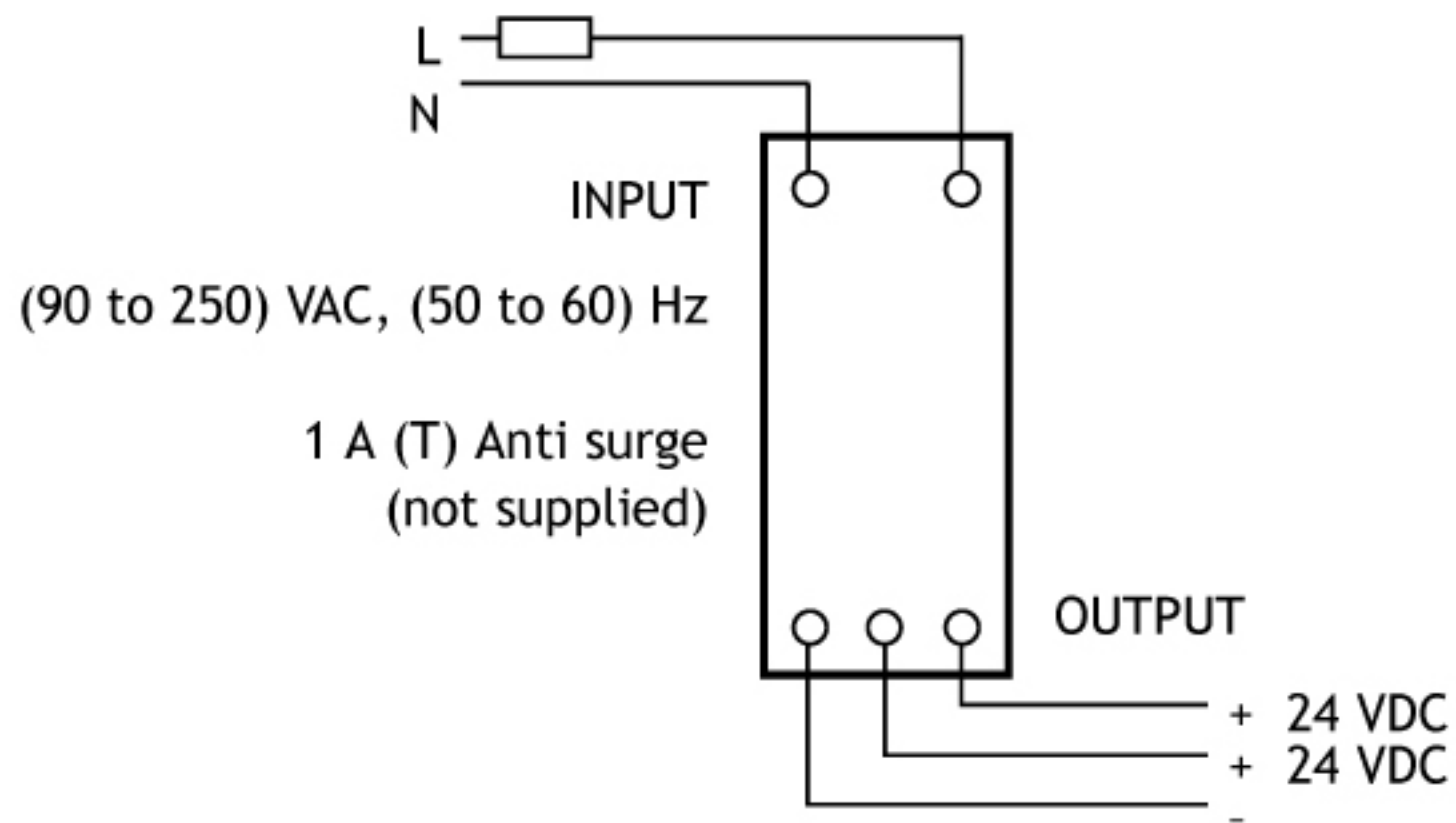
MECHANICAL DETAILS

(All dimensions in mm)



DIN RAIL MOUNTED POWER SUPPLY

CONNECTION DETAILS



ASSOCIATED PRODUCTS:

SEM215	SEM215 is a second generation "Smart" DIN rail mount temperature transmitter which accepts most commonly used temperature sensors (also slide-wire sensors or mV inputs) and generates an industry standard (4 to 20) mA transmission signal.
SEM315	The SEM315 is a DIN Rail temperature transmitter. It is small in size yet has a performance superior to other larger and more expensive transmitters.
SEM1000	Analogue signal Isolator
SEM1020	Loop Booster
SEM1100	Line powered process isolator
SEM1200	Signal Splitter
SEM1400	Loop powered trip amplifiers
SEM1503/1504	Pt100 transmitters
SEM1500TC	Isolating TC transmitter
DM600	The DM600 series of Battery Powered Field Indicators accept either a RTD sensor or a thermocouple sensor, depending upon the model, and displays the temperature on a 4 digit LCD display.
DM700	The DM700 series is a 4 Digit LED Loop Powered Field Indicator. It is available with a choice of (4 to 20) mA, RTD or Thermocouple input.
SENSORS	A complete range of sensors and accessories are available: <ul style="list-style-type: none">● Platinum resistance temperature detectors● Thermocouples● Thermistors

ORDER CODE

SEM1300

24 VDC @ 250 mA Output