

Performance Bellows Operated Pressure Switches **200 Series**

201 / 2 / 3
281
Issue M

- Precision stainless steel mechanism for arduous atmospheres and high humidity.
- Set point adjustable over whole range against calibrated scale with tamperproof adjuster.
- Precise and accurate operation guaranteed by use of hydraulic formed bellows, or capsule stack.
- Ranges available up to 75 Bar (1,000 psi)
- Weatherproof and Flameproof models EEx d IIC - ATEX.
- NACE MR-01-75 compatibility.
- Models for fixed switching differential, adjustable differential and HI-LO operation.
- Safety vented or blow out device as standard.
- Hermetically sealed microswitch option.

Performance **characteristics**

Enclosure

- IP66 Protection

Wetted parts options

- 316 Stainless Steel bellows.
- Nickel Alloy (Monel) suitable for NACE MR-01-75.

Standard Electrical ratings – Refer to Table 6

- 5 Amps – general purpose, environmentally sealed, hermetically sealed.
- 1 Amp with gold contacts.

Process connection

- Rc ¼ (BSP), ¼ NPT Internal, ½ NPT Internal & ½ NPT External.

Unit weight

- Between 3.1kg – 9.4kg (6.8lb – 20.7lb)

Accuracy

- Set point repeatability $\pm 0.5\%$ of span at 20 °C / 68 °F ambient.



Product **applications**

The 201 is suitable for a wide range of applications in many Industry sectors:

- Oil & Gas
- Chemical
- Petrochemical
- Refining
- Power
- Food Industry

The choice of models available ensures that the 201/2/3/281 is suitable for use in:

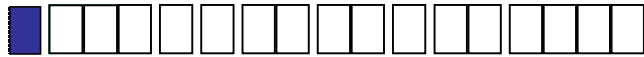
- Corrosive atmospheres
- Resistant to chemical attack

How can we **help you?**

Delta Controls' range of reliable pressure and temperature measurement instruments can be customised to meet individual requirements. For technical advice or to discuss your application please contact us on +44 (0) 20 8939 3500

Enclosure

TABLE 1



FINISH



All enclosures except Type A are finished in light grey epoxy resin paint. Special finishes to order.

INTRINSIC SAFETY

Because of the low voltages and currency of I.S. circuits, we recommend using gold and/or sealed contacts.

NOTE: Enclosure Codes W & A with range BC, C6, E1 and E8 (BU, CP, E4, E7) have weather protection reduced to IP54. In the interests of reliability not all enclosures are available with all wetted parts materials. See Table 4.

Temperatures in Table 1 refer to limitations for certified enclosures. See **TECHNICAL DATA**.

WEATHERPROOF ENCLOSURES	Code
General Purpose The basic enclosure is pressure die-cast in zinc alloy, offering weather protection not less than NEMA 4 + 13/IP66.	W
For Aggressive Atmospheres Investment cast enclosure in austenitic stainless steel with weather protection not less than NEMA 4X + 13/IP66.	A
FLAMEPROOF ENCLOSURES CATEGORY 2 (ZONE 1)	
EExd IIC T6 (-60 to + 40°C), T4 (-60 to +80°C) II 2 G D Gravity die-cast enclosure in aluminium-silicon alloy, certified to CENELEC EN50 014 and EN50 018.  II 2 G D Suitable for outdoor use, IP66 / NEMA 4	H
IECEX ExdIIC certified to IEC 60079-0 and IEC 60079-1	
EExd IIC T6 (-60 to + 40°C), T4 (-60 to +80°C) II 2 G D As Code H, but sand cast in high quality grey iron.  II 2 G D	K
IECEX ExdIIC certified to IEC 60079-0 and IEC 60079-1	
EExn ENCLOSURES CATEGORY 3 (ZONE 2)	
Type of Protection EExn II T6 (-20 to +40°C) II 3 G As code 'W' but EEx n to EN50021. Weatherproof to NEMA 4/IP66. Limited switching facility (see table 6)	N
As 'N' but with investment cast enclosure in austenitic stainless steel as 'A'.	O

Models

TABLE 2



NOTE: Models 202, 203 are not supplied with all materials of wetted parts. See Table 4

	Code
Fixed Switching Differential. See Tables 10A & 10C. Basic model giving close, fixed switching differential using proprietary microswitch operated by high integrity stainless steel mechanism. Set point field adjustable over full range against calibrated scale. SPDT & DPDT options available.	201
Adjustable Switching Differential. (Limited Span) See Tables 10B & 10D. Achieved by special microswitch with built in adjuster, SPDT only. Not available with enclosure code N or O.	202
Adjustable Switching Differential. (Wide Span) See Tables 10B & 10D. Falling set point adjustable against a calibrated scale. Rising reset point adjustable to increase switching differential by up to 50% of range.	203
HI-LO Switching (Adjustable Gap) See Tables 10A & 10C. Two individual set points and separate electrical circuits, with independent adjustment against calibrated scale.	281

Electrical Entry

Adaptors are available for other popular thread sizes.

Enclosures 'W' & 'N'

Standard option code 1 (22mm dia) is provided with a nylon 22/20 reducer and fibre washer suitable for a standard M20 cable gland and back nut. Option code 0 elbow adaptor is factory fitted. Adapter kits may also be provided retrospectively to fit at site if required. Ask for details.

'W' and 'N' SAFETY NOTE

If a metal cable gland is site fitted it must either be earthed locally or an earth/gland plate must be used to connect the body of the gland at the enclosure earthing point. Earth/gland plates can be provided either factory fitted or in kit form for site assembly.

TABLE 3

	Code
Enclosure W & N: Clearance for 20mm (3/4 in) outside dia conduit.	1
Enclosures H, K, A & O: M20 x 1.5 ISO thread.	0
Enclosures H & K: M20 x 1.5 ISO thread, dual entry.	5
Enclosures H & K: 3/4-NPT INT.	3
Enclosures H & K: 1/2" NPT Internal	2
Enclosures H & K: 3/4-NPT INT. dual entry	6
Enclosure W: M20 x 1.5 elbow adaptor.	0
Enclosure N: M20 x 1.5 straight adaptor (Approved).	0

Material of Wetted Parts

Brass bellows are only available on enclosures W & N and Rc1/4 process connection size, see Table 7.

Not all ranges are available with all materials. Refer to Table 5 for availability.

TABLE 4

	Code
Brass bellows soft soldered to brass fittings (model 201) only.	1
Stainless steel bellows/capsule stack and process connection all welded fabrication.	2
Nickel Alloy (Monel) bellows/capsule stack and process connection. Suitable for NACE MR-01-75. All welded fabrication.	M

Setting Ranges

P_{max} = maximum working pressure

* Ranges BC, C6 & E1 (BU, CP, E4) not available on Model 202. Range G1 (GF) is only available as Models 201/281.

§ Range BC & C6 (BU, CP) not available on HI-LO model. (281)

TABLE 5

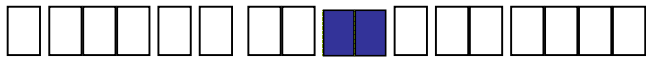
P_{max}		RANGE						Code
bar	psi	bar	mbar	Code	psi	in.Hg	in.H ₂ O	
1.4	20		-1000 to 0	A0		-30 to 0		AB
1	15		-12.5 to +12.5	BC§*			-5 to +5	BU§*
4	60	-1 to 1.5		G3	-14.5 to +20			GK
1	15		3 to 25	C6§*			1 to 10	CP§*
1	15		5 to 120	E1*			2 to 50	E4*
1	15		50 to 350	E8	1 to 5			E7
1.4	20	0.2 to 1		G1*	3 to 15			GF*
2	30	0.1 to 1.5		G5	1 to 20			GP
8	100	0.2 to 4		J0	2 to 60			J3
9	125	0.2 to 7		M1	3 to 100			M4
20	300	0.3 to 15		P6	4 to 200			PB
40	600	6 to 25		Q2	85 to 400			QB
100	1400	10 to 40		R3	40 to 600			RB
100	1400	15 to 75		S7	200 to 1000			SB

† Available as Special Engineering.

AVAILABILITY MATERIAL CODE (TABLE 4)			RANGE CODE
1	2	M	
	✓	†	A0/AB
	✓	✓	BC/BU
✓	✓	†	G3/GK
	✓	✓	C6/CP
✓	✓	✓	E1/E4
	✓	✓	E8/E7
✓	✓	✓	G1/GF
	✓	✓	G5/GP
	✓	✓	J0/J3
✓	✓	✓	M1/M4
✓	✓	✓	P6/PB
	✓	✓	Q2/QB
	✓	✓	R3/RB
	✓	✓	S7/SB

Switching Options

TABLE 6



A much wider variety of switching options can be engineered to customer's requirements for Model 201 switches, manual latching, pneumatic output etc. Please consult our engineers for further information. On models 202, 203 and 281, only the switching options specified can be supplied.

Model 201									
UL/CSA Rating (RESISTIVE) §SEE NOTE	IEC 947-5-1/EN 60947-5-1 Rating							Contact	Code
	Designation & Utilization Category	Rated operational current I_e (A) at rated operational voltage U_e	U_i	U_{imp}	VA Rating				
					Make	Break			
5 Amps @ 110/250V AC Light Duty for AC only	AC14 D300	0.6/0.3A @ 120/240V AC	250V	0.8kV	432	72	SPDT DPDT	00 01	
	DC13 R300	0.22/0.1A @ 125/250V DC			28	28			
5 Amps @ 110/250V AC & 2 Amps @ 30V DC General purpose precision	AC14 D300	0.6/0.3A @ 120/240V AC	250V	0.8kV	432	72	SPDT DPDT	02 03	
	DC13 R300	0.22/0.1A @ 125/250V DC			28	28			
1 Amp @ 125V AC & §100mA @ 30V DC gold alloy contacts for low voltage switching	1 A @ 125 VAC RESISTIVE (IEC 1058-1/EN 61058-1)						SPDT DPDT	04 05	
§ 5 Amps @ 110/250V AC & 5 Amps @ 30V DC Environmentally sealed.	AC14 D300	0.6/0.3A @ 120/240V AC	250V	0.5kV	432	72	SPDT* DPDT*	08 09	
	DC13 R300	0.22/0.1A @ 125/250V DC			28	28			
§ 1 Amp @ 30V AC & 30V DC Environmentally sealed with gold contacts	AC14 E150	0.3A @ 120V AC	125V	0.5kV	216	36	SPDT* DPDT*	0G 0H	
5 Amps @ 250V AC and 2 Amps @ 30V DC Hermetically sealed. Gold plated silver contacts.	AC14 D300 DC13 R300	0.6/0.3A @ 120/240V AC 0.22/0.1A @ 125/250V DC	250V	0.5kV	432 28	72 28	SPDT DPDT	H2 H3†, H6‡	
† 2 Single pole, double throw, simultaneous falling under pressure ‡ 2 Single pole, double throw, simultaneous rising under pressure.									
Model 202 (Cannot be supplied with enclosure Code N / O)									
5 Amps @ 110/250V AC Light Duty for AC only	AC14 D300	0.6/0.3A @ 120/240V AC	250V	0.8kV	432	72	SPDT	0C	
5 Amps @ 110/250V AC and 2 Amps @ 30V DC Adjustable	AC14 D300 DC13 R300	0.6/0.3A @ 120/240V AC 0.22/0.1A @ 125/250V DC	250V	0.8kV	432 28	72 28	SPDT	0D	
Model 203									
5 Amps @ 110/250V AC & 2 Amps @ 30V DC General purpose precision	AC14 D300 DC13 R300	0.6/0.3A @ 120/240V AC 0.22/0.1A @ 125/250V DC	250V	0.8kV	432 28	72 28	SPDT DPDT	02 03	
1 Amp @ 125V AC & §100mA @ 30V DC gold alloy contacts for low voltage switching	1 A @ 125 VAC RESISTIVE (IEC 1058-1/EN 61058-1)						SPDT DPDT	04 05	
Model 281									
5 Amps @ 110/250V AC Light Duty for AC only	AC14 D300 DC13 R300	0.6/0.3A @ 120/240V AC 0.22/0.1A @ 125/250V DC	250V	0.8kV	432 28	72 28	SPDT	20	
5 Amps @ 110/250V AC & 2 Amps @ 30V DC General purpose precision	AC14 D300 DC13 R300	0.6/0.3A @ 120/240V AC 0.22/0.1A @ 125/250V DC	250V	0.8kV	432 28	72 28	SPDT	22	
1 Amp @ 125V AC & §100mA @ 30V DC gold alloy contacts for low voltage switching	1 A @ 125 VAC RESISTIVE (IEC 1058-1/EN 61058-1)						SPDT	24	
§ 5 Amps @ 110/250V AC & 5 Amps @ 30V DC Environmentally sealed.	AC14 D300 DC13 R300	0.6/0.3A @ 120/240V AC 0.22/0.1A @ 125/250V DC	250V	0.5kV	432 28	72 28	SPDT*	28	
§ 1 Amp @ 30V AC & 30V DC Environmentally sealed with gold contacts	AC14 E150	0.3A @ 120V AC	125V	0.5kV	216	36	SPDT*	2G	
5 Amps @ 250V AC and 2 Amps @ 30V DC Hermetically sealed. Gold plated silver contacts.	AC14 D300 DC13 R300	0.6/0.3A @ 120/240V AC 0.22/0.1A @ 125/250V DC	250V	0.5kV	432 28	72 28	SPDT	H4	
The electrical rating is dependent on the microswitch fitted to the instrument. The electrical ratings defined by each approval that the microswitch complies with and is shown on the product nameplate, ie UL/CSA, or IEC. It should be noted that the instrument must be used within the electrical rating specified from the approval you require. This table lists the actual IEC ratings against the Designation & Utilization Category marked on the nameplates. In the absence of any verification by UL/CSA the microswitch § manufacturer's rating is stated in italics and bold . If in doubt seek guidance from the factory.									
NOTE: For low energy circuits e.g. 30V and up to 100mA, we recommend using gold alloy contact switches.									
U_i = rated insulation voltage U_{imp} = rated impulse withstand voltage across contacts.									
*Suitable for use with EExn Enclosures (Code N)									

Process Connection

Other thread specifications and sizes are available without using adaptors.

Adaptors are available for applications where their use is permitted.

Brass bellows are only available with Rc1/4 Process Connection.

TABLE 7



	Code
Rc 1/4 (1/4 BSP tr INT) to (ISO 7/1)	A
1/4 – 18NPT INT	F
1/2 – 14NPT INT	H
1/2 – 14NPT EXT	J

Options & Treatments

Combinations available, apply for details.

TABLE 8



	Code
Tropicalisation High humidity environment	01
Marine and Offshore Saline atmosphere or salt spray	02
Ammonia Process (wetted) parts and construction suitable for atmospheric ammonia.	03
Oxygen Service 2: Process (wetted) parts are cleaned for oxygen.	04
Oxygen Service 3: Process and non-process parts are cleaned for use with oxygen.	05
Stainless Steel Pipe Mounting Bracket Permits local 2" pipe work to be utilised for mounting the instrument.	10
Tagging - Variety of tagging methods are available	APPLY FOR DETAILS
Applies when – no option is required and selection is made from special engineering.	00

Special Engineering

TABLE 9



FEATURE	Code
Please consult Delta sales engineering for special requirements.	TBA

Performance Data

Bar Units (SI)

Due to manufacturing tolerances the figures quoted in these tables are for guidance only and are typical for weatherproof models.

Flameproof models maybe up to 2 times higher depending on the range. Should the differential be critical for specific applications our engineers should be consulted prior to ordering.

TABLE 10

MODEL 201 (281)													
Range code	Range mbar / bar	Wetted parts code	SPDT Options (mbar)						DPDT Options (201 only) (mbar)				
			00 (20)	02 (22)	04 (24)	08 (28)	0G (2G)	H2 / H4	01	03	05	09	0H
A0	-1000 to 0	2	14	43	15	64	150	20	56	22	75	75	225
BC	-12.5 to +12.5	2M	2	6	2	13	13	3	10	4	15	15	8
G3	-1 to +1.5	1	36	113	38	180	180	50	137	53	210	210	270
G3	-1 to +1.5	2	15	46	16	71	71	180	20	59	23	82	270
C6	3 to 25	2M	2	6	2	13	13	5	3	10	4	15	8
E1	5 to 120	1	2	5	2	12	12	5	3	9	3	14	8
E1	5 to 120	2M	2	7	2	14	14	5	4	11	4	16	8
E8	50 to 350	2M	2	7	2	14	14	6	3	10	4	16	9
G1	0.2 to 1	1	3	9	3	15	15	28	5	13	5	17	42
G1	0.2 to 1	2M	6	18	6	30	30	28	8	22	8	35	42
G5	0.1 to 1.5	2M	5	17	6	25	25	80	10	25	10	29	120
J0	0.2 to 4	2M	34	106	36	160	160	420	50	234	52	190	630
M1	0.2 to 7	1	30	98	32	140	140	500	45	126	48	170	750
M1	0.2 to 7	2M	50	112	38	180	180	500	50	139	54	200	750
P6	0.3 to 15	1	62	196	66	310	310	1200	90	245	95	350	1800
P6	0.3 to 15	2M	76	240	80	390	390	1200	100	285	110	440	1800
Q2	6 to 25	2M	160	492	165	800	800	2300	210	587	230	900	3450
R3	10 to 40	2M	310	991	340	1500	1500	3000	440	1300	490	1700	4500
S7	15 to 75	2M	330	1000	350	1600	1600	3060	460	1300	510	1900	4590

MODEL 202, 203										
Range code	Range mbar / bar	Wetted parts code	202 (mbar / bar value)				203 (mbar / bar value)			
			SPDT ONLY				SPDT OPTIONS		DPDT OPTIONS	
			OC		OD		02 or 04		03 or 05	
			Min	Max	Min	Max	Min	Max	Min	Max
A0	-1000 to 0	2	27	77	80	185	170	500	250	500
BC	-12.5 to +12.5	2M	N/A	N/A	N/A	N/A	8	25	10	25
G3	-1 to +1.5	1	68	187	210	497	700	1500	1100	1500
G3	-1 to +1.5	2	29	80	86	200	700	1500	1100	1500
C6	3 to 25	2M	N/A	N/A	N/A	N/A	8	25	10	25
E1	5 to 120	1	N/A	N/A	N/A	N/A	13	60	20	60
E1	5 to 120	2M	N/A	N/A	N/A	N/A	25	60	37	60
E8	50 to 350	2M	4	14	11	23	100	200	150	200
G5	0.1 to 1.5	2M	11	5	31	67	150	700	225	700
J0	0.2 to 4	2M	65	183	197	459	400	2000	600	2000
M1	0.2 to 7	1	59	168	176	409	600	3500	900	3500
M1	0.2 to 7	2M	68	189	207	488	600	3500	900	3500
P6	0.3 to 15	1	120	335	363	852	1000	7000	1500	7000
P6	0.3 to 15	2M	143	338	443	1000	1000	7000	1500	7000
Q2	6 to 25	2M	294	796	908	2100	2	12.5	3	12.5
R3	10 to 40	2M	611	1700	1800	4200	5	20	7.5	20
S7	15 to 75	2M	639	1700	1900	4500	5	37.5	7.5	37.5

PSI Units

MODEL 201 (281)														
Range code	Range psi / in. Hg / in. H ₂ O	Wetted parts code	SPDT Options						DPDT Options (201 only)					
			00 (20)	02 (22)	04 (24)	08 (28)	0G (2G)	H2 (H4)	01	03	05	09	0H	H3/H6
AB	-30 to 0	2	0.45	1.30	0.5	2.0	2.0	4.4	0.65	1.7	0.65	2.25	2.25	6.64
BU	-5 to +5	2M	0.8	2.4	0.8	5.2	5.2	2	1.2	4.0	1.6	6.0	6.0	3.2
GK	-14.5 to +20	1	0.52	1.65	0.5	2.6	2.6	2.6	0.7	2.0	0.77	3.0	3.0	3.9
GK	-14.5 to +20	2	0.2	0.67	0.23	1.0	1.0	2.6	0.3	0.85	0.33	1.2	1.2	3.9
CP	1 to 10	2M	0.8	2.4	0.8	5.2	5.2	2	1.2	4.0	1.6	6.0	6.0	3.2
E4	2 to 50	1	0.8	2.0	0.8	5.0	5.0	2	1.2	3.6	1.2	5.5	5.5	3.2
E4	2 to 50	2M	0.8	2.8	0.8	5.5	5.5	2	1.6	4.5	1.6	6.5	6.5	3.2
E7	1 to 5	2M	0.03	0.1	0.03	0.2	0.2	0.09	0.04	0.15	0.06	0.23	0.23	0.13
GF	3 to 15	1	0.04	0.13	0.05	0.22	0.22	0.41	0.07	0.2	0.07	0.25	0.25	0.61
GF	3 to 15	2M	0.09	0.26	0.1	0.43	0.43	0.41	0.1	0.32	0.12	0.50	0.50	0.61
GP	1 to 20	2M	0.07	0.25	0.1	0.35	0.35	1.2	0.15	0.38	0.15	0.42	0.42	1.74
J0	2 to 60	2M	0.5	1.5	0.5	2.5	2.5	6.1	0.7	3.5	0.8	2.8	2.8	9.14
M1	3 to 100	1	0.45	1.4	0.5	2.0	2.0	7.3	0.65	1.8	0.7	2.5	2.5	10.88
M1	3 to 100	2M	0.5	1.6	0.6	2.6	2.6	7.3	0.7	2.0	0.8	2.9	2.9	10.88
P6	4 to 200	1	0.9	2.8	1	4.5	4.5	17.4	1.3	3.5	1.4	5	5	26.1
P6	4 to 200	2M	1.1	3.5	1.2	5.7	5.7	17.4	1.5	4.2	1.6	6.4	6.4	26.1
Q2	85 to 400	2M	2.3	7	2.5	11.6	11.6	33.4	3.0	8.5	3.3	13	13	50.03
R3	140 to 600	2M	4.5	14.3	5	22	22	43.5	6.4	19	7	25	25	65.25
S7	200 to 1000	2M	4.8	14.5	5	23	23	44.4	6.7	19	7.5	28	28	65.26

MODEL 202, 203										
Range code	Range psi / in. Hg / in. H ₂ O	Wetted parts code	202				203			
			SPDT ONLY				SPDT OPTIONS		DPDT OPTIONS	
			OC		OD		02 or 04		03 or 05	
			Min	Max	Min	Max	Min	Max	Min	Max
AB	-30 to 0	2	0.80	2.2	2.4	5.4	5.0	14.5	7.5	14.5
BU	-5 to +5	2M	N/A	N/A	N/A	N/A	3.5	10	4	10
GK	-14.5 to +20	1	1.0	2.7	3.0	7.0	10	21	16	21
GK	-14.5 to +20	2	0.45	1.1	1.2	2.9	10	21	16	21
CP	1 to 10	2M	N/A	N/A	N/A	N/A	3.5	10	4	10
E4	2 to 50	1	N/A	N/A	N/A	N/A	5.5	24	8	24
E4	2 to 50	2M	N/A	N/A	N/A	N/A	10	24	15	24
E7	1 to 5	2M	0.06	0.20	0.16	0.33	1.5	29	2.1	2.9
GP	1 to 20	2M	0.16	0.50	0.5	0.95	2.2	10	3.3	10
J3	2 to 60	2M	1.0	2.6	2.9	6.6	6	29	9	29
M4	3 to 100	1	0.86	2.4	2.6	5.9	9	50	13	50
M4	3 to 100	2M	1.0	2.7	3.0	7.0	9	50	13	50
PB	4 to 200	1	1.75	4.8	5.3	12	15	100	22	100
PB	4 to 200	2M	2.1	4.9	6.5	14.5	15	100	22	100
QB	85 to 400	2M	4.3	11.5	13.5	30	30	180	44	180
RB	140 to 600	2M	8.9	24	26	60	75	290	110	290
SB	200 to 1000	2M	9.33	24	28	65	75	500	110	500

Technical Specifications

ACCURACY

Set point repeatability $\pm 0.5\%$ of full scale at 20°C ambient.

Scale accuracy $\pm 2\%$ of full scale.

AMBIENT TEMPERATURE RANGE

All models are suitable for operating within a range of ambient temperature from -25 to +60°C (-13 to +140°F). Special build available for temperatures down to -60°C (-76°F), refer to SPECIAL ENGINEERING

MAXIMUM PROCESS TEMPERATURE

Whilst the component parts withstand +60°C (+140°F), process temperatures up to +120°C (+248°F) are subject to appropriate installation practice and the use of wetted parts material code 2 or M (Table 4).

ELECTRICAL CONNECTIONS

Terminal Block

Cable entry is to a non-pinching terminal block made of a non-hygroscopic thermosetting plastic, suitable for cables up to 2.5mm²/14AWG.

Earthing/Grounding

An earthing stud is provided inside all weatherproof enclosures, adjacent to the entry. External earthing is standard on flameproof versions. Safety note - see Table 3.

Dielectric Strength

The electrical assembly is capable of withstanding *2kV between live parts and earth/ground and 500V between open contacts.

*1.2kV for micro switch Codes H2, H3, H4 and H6. Refer to Table 6.

Electrical Entry

Standard options are listed in Table 3. Other threads can be accommodated by adaptors. Dual entry available on some enclosures.

OPTIONAL EXTRAS

Chemical Seals

Chemical seals of our own or proprietary manufacture can be fitted when required.

Mounting

Position/Location/Installation

Vertical as shown, in DIMENSIONS, taking care to avoid siting in locations that transmit excessive shock or vibration. For further advice contact our engineers.

Pollution degree (EN60947-5-1)

All products are suitable for use in pollution degree 3. For extreme conditions where condensation may readily form, then sealed contacts should be used. See Table 6 codes 08/09, 0G/0H, H2/H3/H4/H6.

Electrical Isolation –

These products are not suitable for electrical isolation. Always isolate circuit separately to carry out any electrical work.

Unit Weights

Enclosures (Approx.) – Refer to Table 1 and Table 3

'W' & 'N'	3.1kg/6.8lb
'A'	3.9kg/8.6lb
'H'	4.6kg/10.2lb
'K'	9.4kg/20.7lb
'M'	9.9kg/21.8lb

Approvals

INTRINSIC SAFETY

Because of the low voltages and currents of intrinsically safe circuits, we recommend using gold contacts. Refer to Table 6.

CENELEC/ATEX II 2 G D

Certified to CENELEC EN50 014 and EN50 018.

For use in Zone 1 hazardous areas EEx d IIC T6 (-60° to +40°C)

T4 (-60° to +80°C)



Enclosure Codes H and K and all models (see Table 1)

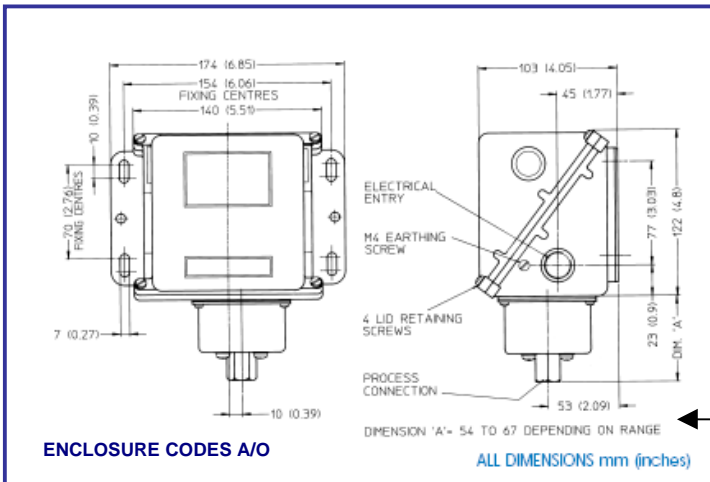
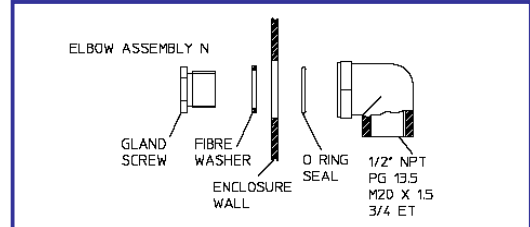
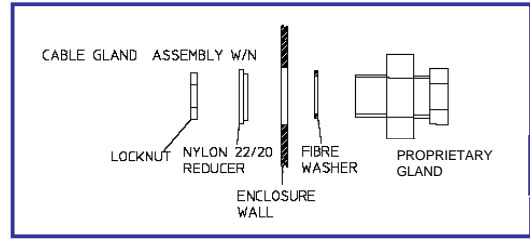
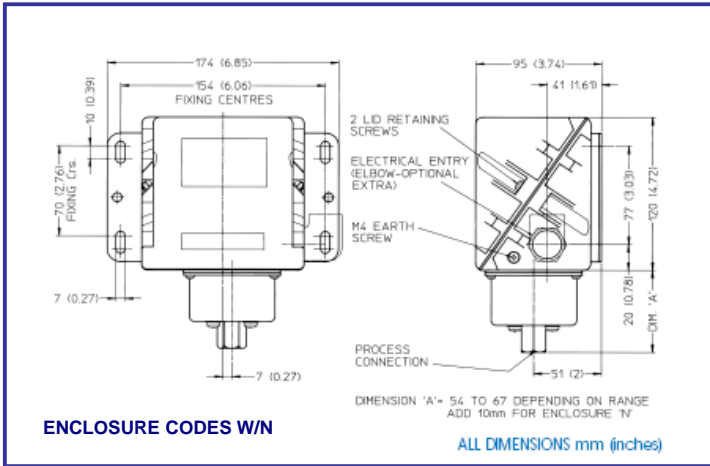
Certificate number BAS01ATEX2426X

IECEx APPROVAL for use in Zone 1 hazardous areas

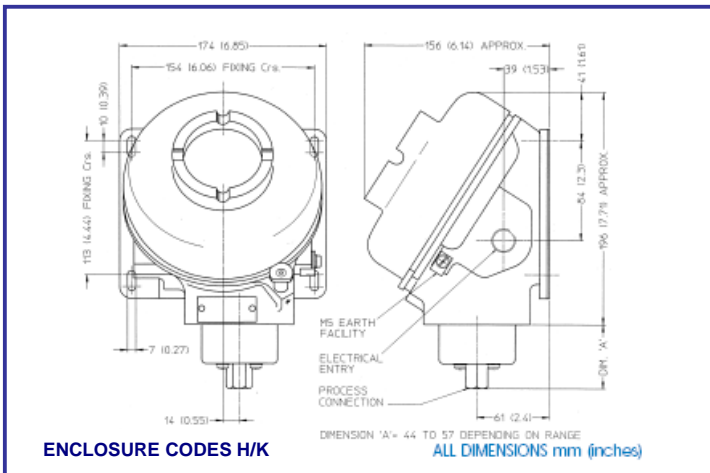
Exd IIC certified to IEC 60079-0 and IEC 60079-1

Cert No. IECExITS04 0006X

Dimensions



NOTE - Add 10mm for enclosure O (Dimension A)



In the interest of development and improvement Delta Controls Ltd, reserves the right to amend, without notice, details contained in this publication. No legal liability will be accepted by Delta Controls Ltd for any errors, omissions or amendments.



Delta Controls Limited

Island Farm Avenue, West Molesey, Surrey KT8 2UZ, UK.

T+44 (0)20 8939 3500 F+44 (0)20 8783 1163 [E sales@delta-controls.com](mailto:sales@delta-controls.com) [W www.delta-controls.com](http://www.delta-controls.com)



FM00720